

## WARRANTY INFORMATION

Our product is guaranteed to be free from quality and manufacturing defects for a period of 12 months.

If your product becomes defective during this period, Rebel Sport Limited will offer you either a replacement, credit or refund where a product is faulty; wrongly described; different from the sample shown to you or do not do what they are supposed to do.

This warranty will not cover substantially modified product; misuse or abuse of the product contrary to user instructions or packaging label; change of mind and normal wear and tear.

Our goods come with guarantees that cannot be excluded under the Australian Consumer Law. You are entitled to a replacement or refund for a major failure and for compensation for any other reasonably foreseeable loss or damage. You are also entitled to have the goods repaired or replaced if the goods fail to be of acceptable quality and failure does not amount to a major failure.

To claim the warranty, take the product to the front Service Desk of your nearest Rebel store. You will need to show receipt or other proof of purchase. Additional information may be required to process your claim. Should you not be able to provide proof of purchase with a receipt or bank statement, identification showing name, address and signature may be required to process your claim.

Any expenses relating to the return of your product to the store will normally have to be paid by you. For online store purchases, Rebel Sport Limited will pay for the return freight for any product assessed as having a major failure.

The benefits to the customer given by this warranty are in addition to other rights and remedies of the Australian Consumer Law in relation to the goods or services to which this warranty relates.

This warranty is provided by Rebel Sport Limited A.C.N.003 283 823, IBC Business Estate, Level 1,29-33 Carter St., Lidcombe, NSW 2141,Australia.Phone:1300 654 502.Email:orders@rebelsport.com.au.

AFFIX RECEIPT  
(STAPLE HERE)



FILL OUT THIS CARD AND KEEP IT. IN THE EVENT THE PRODUCT DOES NOT PERFORM AS YOU EXPECT, TAKE THIS WITH YOU TO OUR STORE, TO HELP US RESPOND TO YOUR WARRANTY CLAIM.

Your name:

Phone / E-mail:

Store of purchase:

Purchase date:

Product name:

Model number:

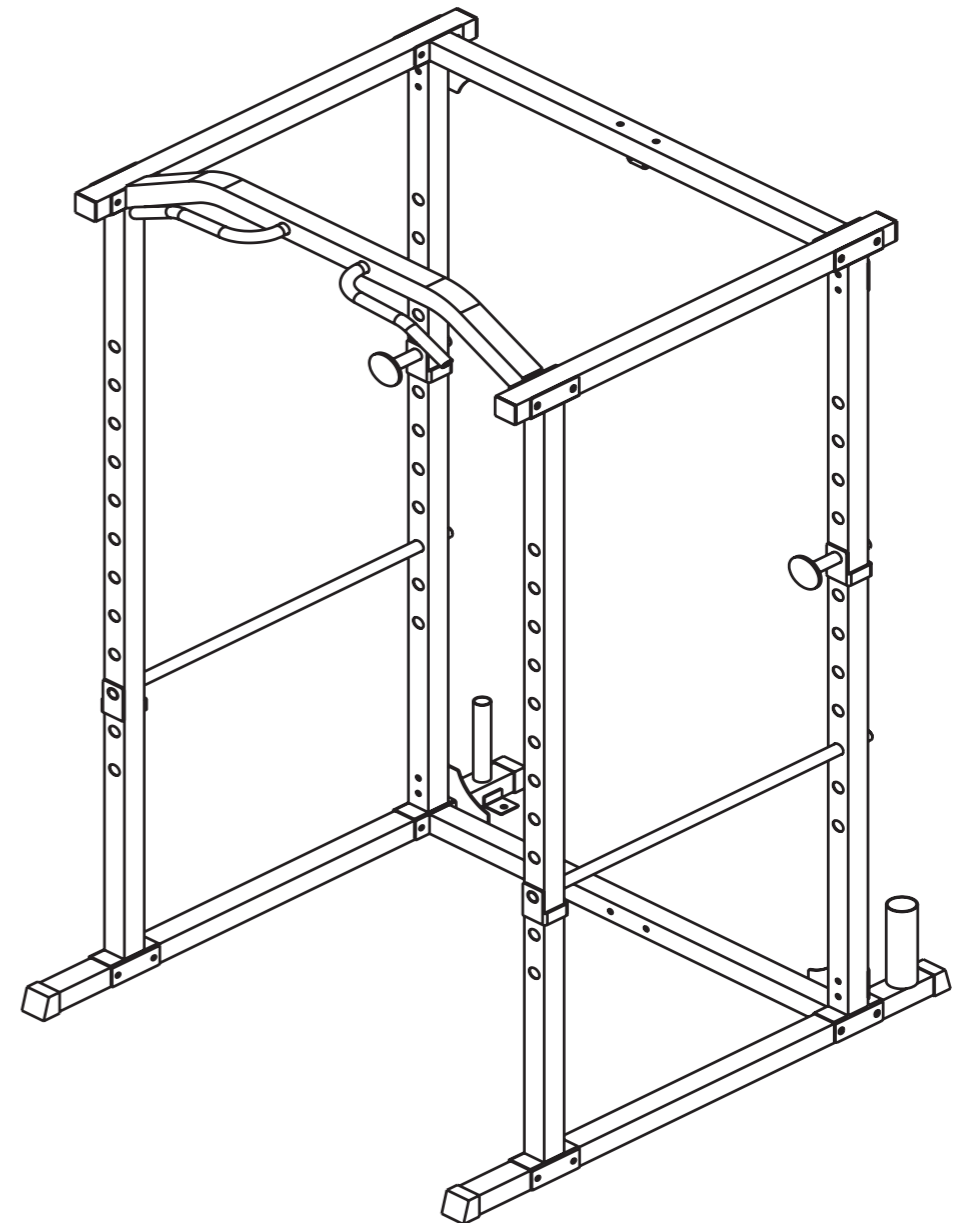
Batch Number:

Fault description:

Manufactured and packaged for  
Rebel Sport Limited A.C.N 003 283 823  
IBC Business Estate  
Level 1, 29-33 Carter Street  
Lidcombe NSW 2141, Australia  
MADE IN CHINA



# RK2 FULL RACK



# USER MANUAL

# CONTENTS

RK2 Full Rack

Precautions.....	01
Part Identification Chart.....	02
Part List.....	03
Exploded View Drawing .....	04
Assembly Step.....	05
Optional Assembly.....	08

# PRECAUTIONS

RK2 Full Rack

1. Before beginning any exercise program, consult your physician. This is especially important for persons over age 35 or persons with preexisting health problems.
2. Read all the warnings and instructions on this machine before using it. This is essential to safe operation.
3. It is the responsibility of the owner to ensure that all users of the machine are adequately informed of all precautions.
4. The machine is intended for home use only. Do not use the machine in any commercial, rental, or institutional setting.
5. Keep the machine indoors, away from moisture and dust. Do not put the machine in a garage or covered patio, or near water.
6. Make sure all spring loaded pull pins are fully engaged in the adjustment position and fully tighten thumbscrew before use.
7. Place the machine on a level surface, with a mat beneath it to protect the floor or carpet.
8. Children must not be allowed near this machine. Teenagers should always have parental supervision when using this machine.
9. The Full Rack is designed to support a maximum user weight of 135KG. Do not place more than 150KG on the weight rest. Do not place more than 150KG on the long softy bar. Do not place more than 75KG on the sliding weight post of the RK2 lat attachment (Optional part which is sold separately). The total loading weight for this full rack is 210KG.
10. Note: Do not use all the parts in the same time. Keep your body weight centered on the machine while exercising.
11. Keep body and clothing free of all moving objects.
12. Over exercising may result in serious injury or death, if you feel faint or if you experience pain while exercising, please stop.
13. This device must be assembled by two or more adults.
14. The total mass is 68kg and the total surface area is 112 x 134cm.
15. The free area shall be not less than 100cm greater than the training area in the directions from which the equipment is accessed. The free area must also include the area for emergency dismount. Where equipment is positioned adjacent to each other the value of the free area may be shared. The free area and training area shall be illustrated with a dedicated figure.
16. If any of the adjustment devices are left projecting, they could interfere with the user's movement.
17. This device must be assembled by two or more adults.

## WARNING

To reduce the risk of serious injury, read all important precautions and instructions in this manual and all warnings on your device before using it.

Model name: RK2

Batch number:

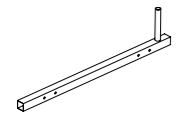
These details can be found on the underside of your product.

## WARNING:

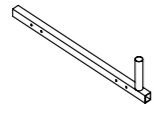
1. The safety level of the equipment can be maintained only if it is examined regularly for damage and wear, e.g. connection points, etc.
2. Pls replace defective components immediately and/or keep the equipment out of use until repair;
3. Pls pay special attention to components most susceptible to wear.

# PART IDENTIFICATION CHART

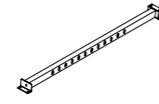
RK2 Full Rack



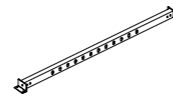
01  
Left Bottom  
Tube Assembly  
1PC



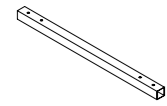
02  
Right Bottom  
Tube Assembly  
1PC



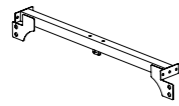
03  
Front Column  
Assembly  
2PCS



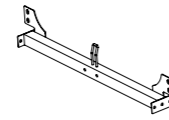
04  
Rear Column  
Assembly  
2PCS



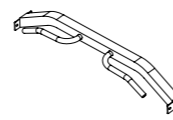
05  
Connecting Tube  
2PCS



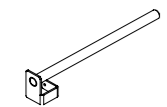
06  
Upper Connected  
Frame  
1PC



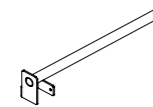
07  
Lower Connected  
Frame  
1PC



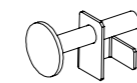
08  
Cross Beam  
1PC



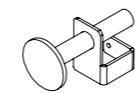
09  
Right Long  
Barbell Tube  
1PC



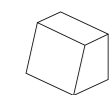
10  
Left Long  
Barbell Tube  
1PC



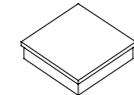
11  
Left Short  
Barbell Tube  
1PC



12  
Right Short  
Barbell Tube  
1PC



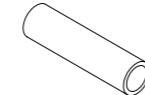
13  
Foot Cap  
4PCS



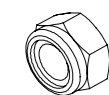
14  
50mm Square  
Inner Cap  
4PCS



15  
25mm Round  
Inner Cap  
4PCS



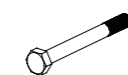
16  
Long Foam  
2PCS



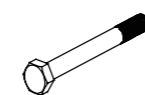
17  
M10 Locknut  
24PCS



18  
M10 Washer  
24PCS



19  
M10 x 70mm Bolt  
16PCS



20  
M10 x 65mm Bolt  
8PCS

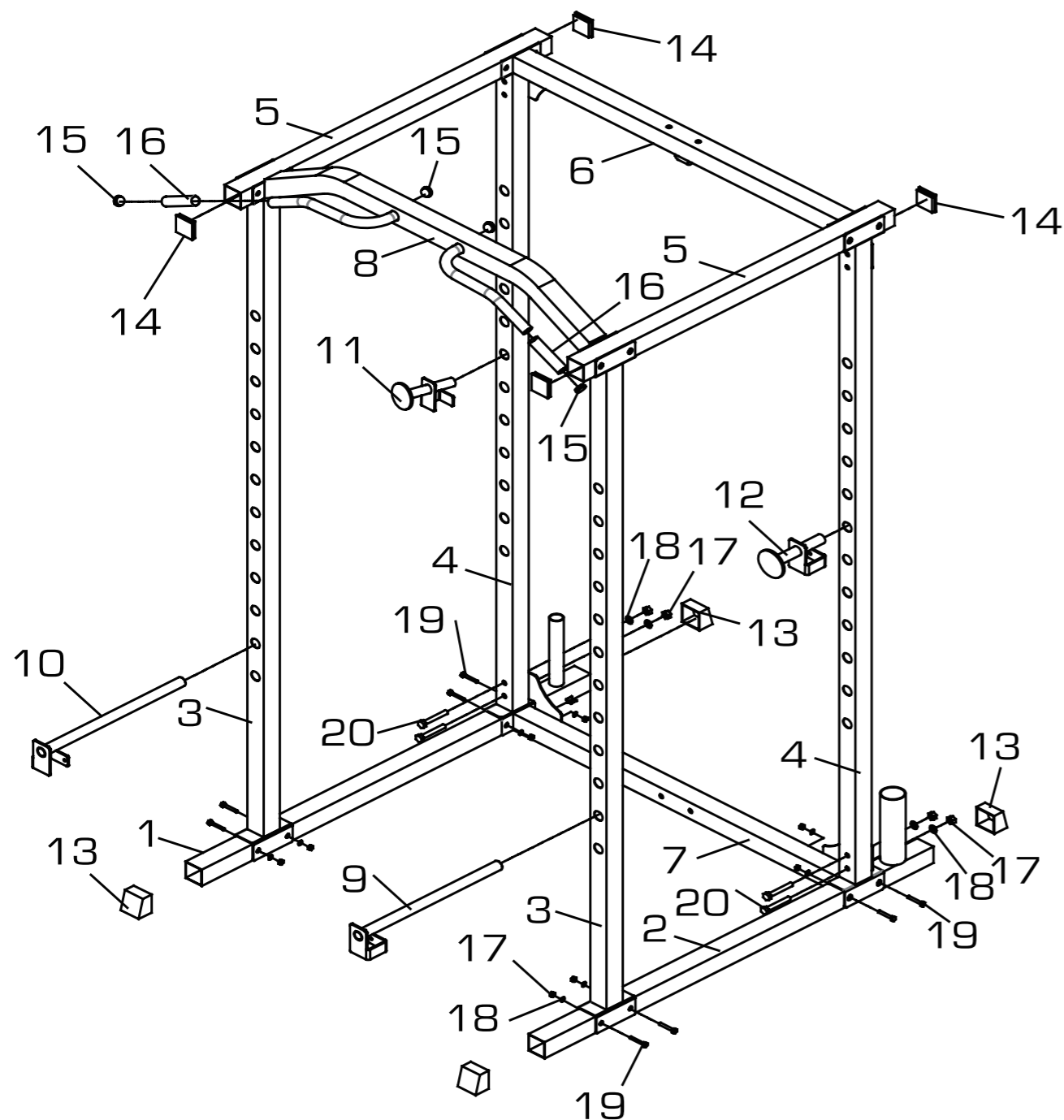
# PART LIST

RK2 Full Rack

Part No.	Description	QTY	Part No.	Description	QTY
01	Left Bottom Tube Assembly	1	11	Left Short Barbell Tube	1
02	Right Bottom Tube Assembly	1	12	Right Short Barbell Tube	1
03	Front Column Assembly	2	13	Foot Cap	4
04	Rear Column Assembly	2	14	50mm Square Inner Cap	4
05	Connecting Tube	2	15	25mm Round Inner Cap	4
06	Upper Connected Frame	1	16	Long Foam	2
07	Lower Connected Frame	1	17	M10 Locknut	24
08	Cross Beam	1	18	M10 Washer	24
09	Right Long Barbell Tube	1	19	M10 x 70mm Bolt	16
10	Left Long Barbell Tube	1	20	M10 x 65mm Bolt	8

# EXPLODED VIEW DRAWING

RK2 Full Rack



# ASSEMBLY STEP

RK2 Full Rack

**Note:** Don't tighten the locknuts and bolts before fully assembled.

- Place all parts in a cleared area and remove the packing materials. Do not dispose of the packing materials until you complete all assembly steps.
- The following tools (not included) may be required for assembly:

two adjustable wrenches



one rubber mallet



one standard screwdriver

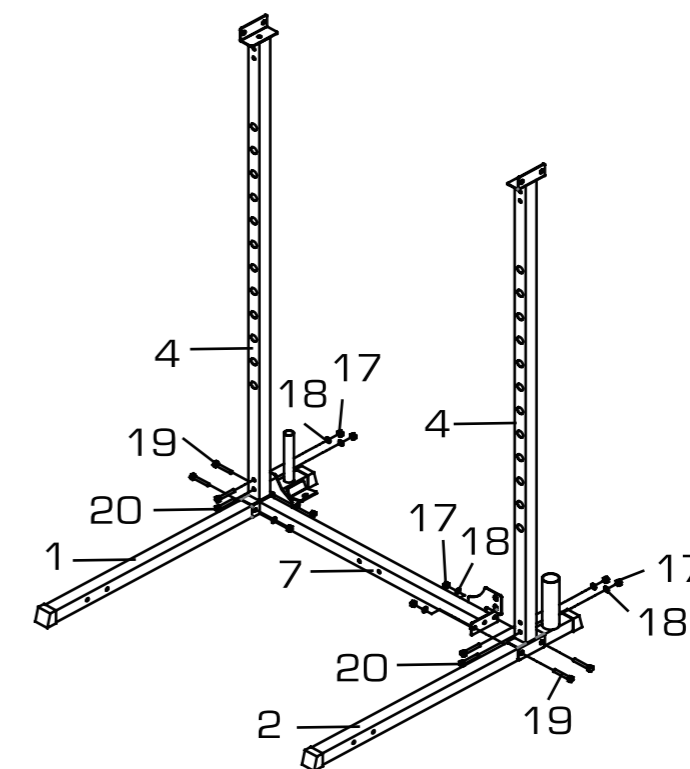


one Phillips screwdriver



## STEP 1

1. Attach the Lower Connected Frame (7) between the Rear Column Assembly (4) on the Bottom Tube Assembly (1&2) with four M10 x 70mm Bolts (19), M10 Washers (18) and M10 Locknuts (17).
2. Attach the Lower Connected Frame (7) to the Rear Column Assembly (4) with four M10 x 65mm Bolts (20), M10 Washers (18) and M10 Locknuts (17).

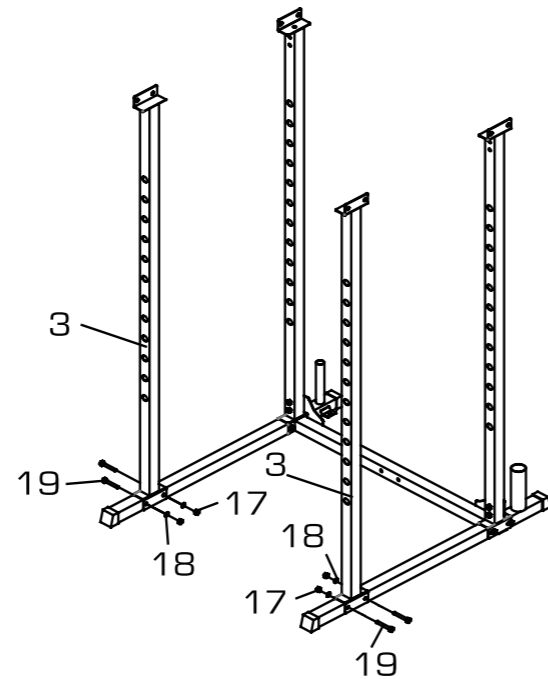


# ASSEMBLY STEP

## RK2 Full Rack

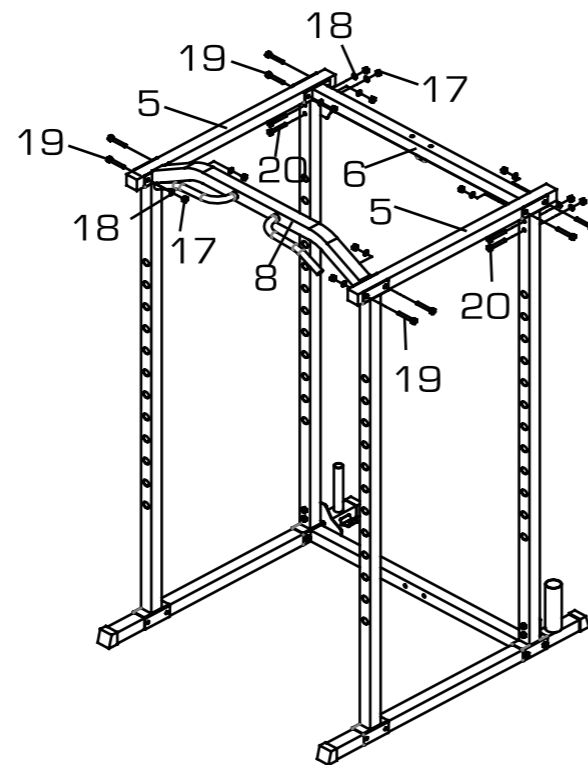
### STEP 2

1. Attach the Front Column Assembly (3) onto the Bottom Tube Assembly (1&2) with four M10 x 70mm Bolts (19), M10 Washers (18) and M10 Locknuts (17).



### STEP 3

1. Attach the Cross Beam (8) between the Connecting Tubes (5) on the Front Column Assembly (3) with four M10 x 70mm Bolts (19), M10 Washers (18) and M10 Locknuts (17).
2. Attach the Upper Connected Frame (6) between the Connecting Tubes (5) on the Rear Column Assembly (4) with four M10 x 70mm Bolts (19), M10 Washers (18) and M10 Locknuts (17).
3. Attach the Upper Connected Frame (6) to the Rear Column Assembly (4) with four M10 x 65mm Bolts (20), M10 Washers (18) and M10 Locknuts (17).

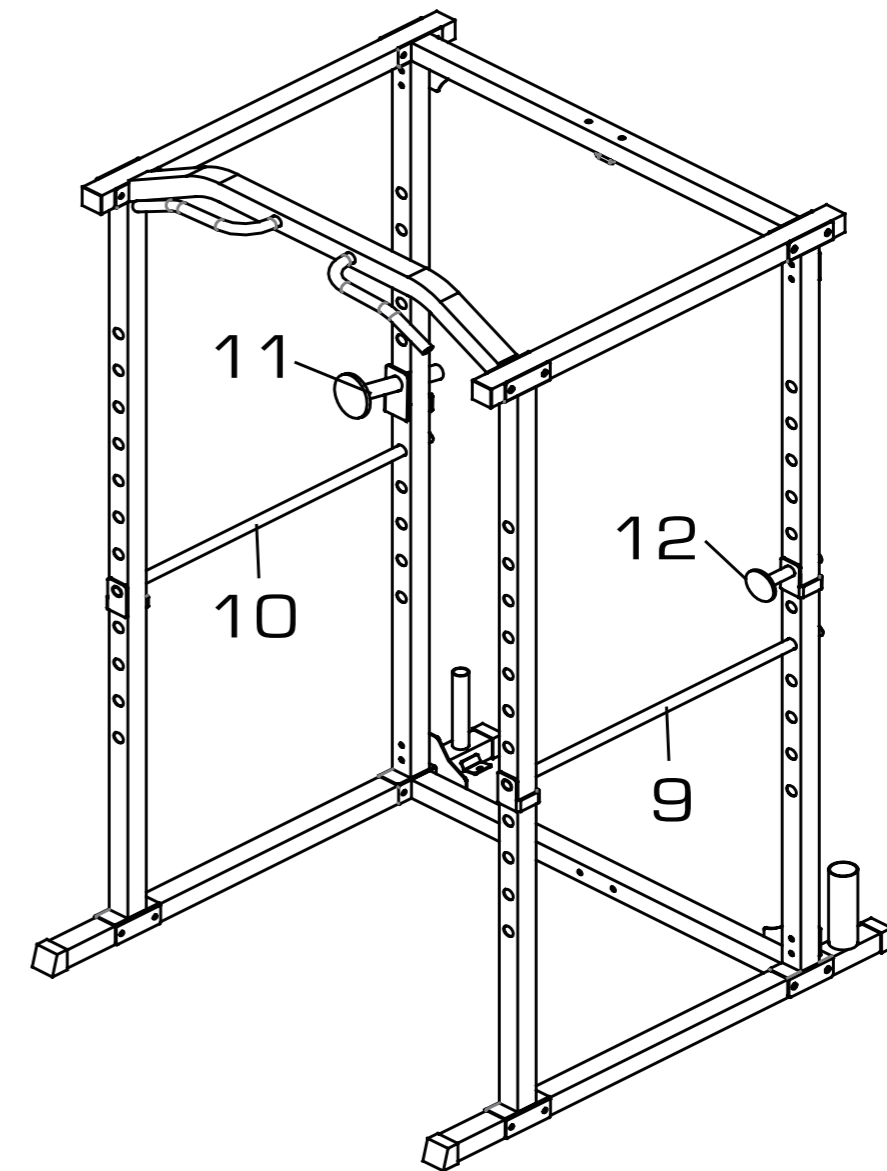


# ASSEMBLY STEP

## RK2 Full Rack

### STEP 4

1. Insert the Right Long Barbell Tube (9) through the Front Column Assembly (3) and the Rear Column Assembly (4).
2. Insert the Left Long Barbell Tube (10) through the Front Column Assembly (3) and the Rear Column Assembly (4).
3. Insert the Right Short Barbell Tube (12) through the Rear Column Assembly (4).
4. Insert the Left Short Barbell Tube (11) through the Rear Column Assembly (4).



Notes: Make sure that all parts are properly tightened before you use the RACK.

# OPTIONAL ASSEMBLY

RK2 Full Rack

Note: Optional attachment sold separately which you could buy from Rebel.

## RK2 LAT ATTACHMENT

